



SAFEWOOD
DESIGNS

BULLET RESISTANT
SAFESHUTTER™ WINDOW



PRODUCT DESCRIPTION
SafeShutter™ Window is a patent pending bullet resistant window that allows for quick and easy installation over existing windows. The SafeShutter™ Window allows natural light to enter your space with the safety you require. It can be swung 120° for easy cleaning. In the event of an emergency the SafeShutter™ can also be used as a defensive position.




FEATURES

- Heavy Duty Hinge
- Mounting board (Primed or stained)
- 0° to 120° swing
- Catch for secure window placement
- Glass UL Levels 1-8
- Steel trim
- Capped top for easy glass replacement
- Ships ready to install



Technical Details

- Ballistic Level 1-8
- Weight: 5.65 lbs/ square foot to 16.65 lbs/square foot
- Dimensions: (Custom Available)
 - 42" x 84" x 2 5/8"
 - 42" x 72" x 2 5/8"
 - 36" x 84" x 2 5/8"
 - 36" x 72" x 2 5/8"

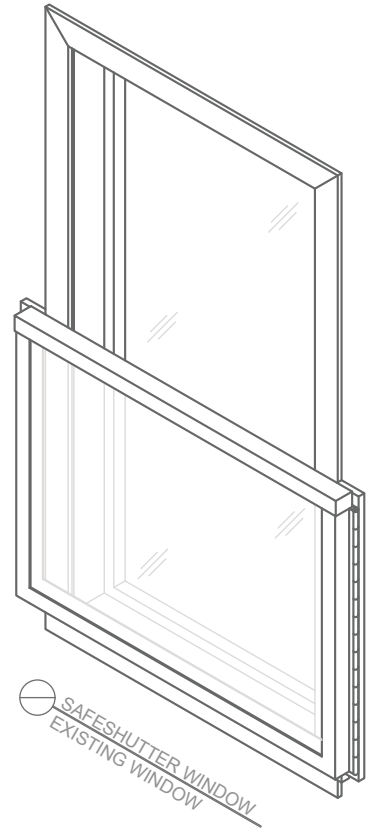
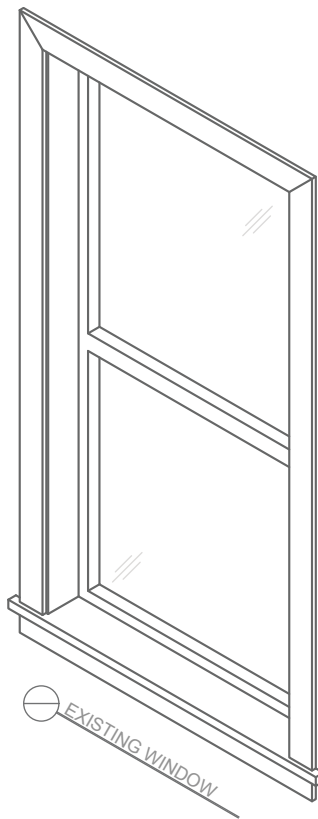
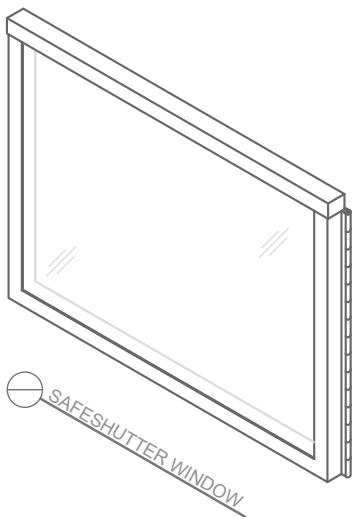
 sales@SafeWoodDesigns.com
 844.896.1800

   
www.SafeWoodDesigns.com



SAFEWOOD
DESIGNS

BULLET RESISTANT
SAFESHUTTER™ WINDOW



sales@SafeWoodDesigns.com



844.896.1800



www.SafeWoodDesigns.com