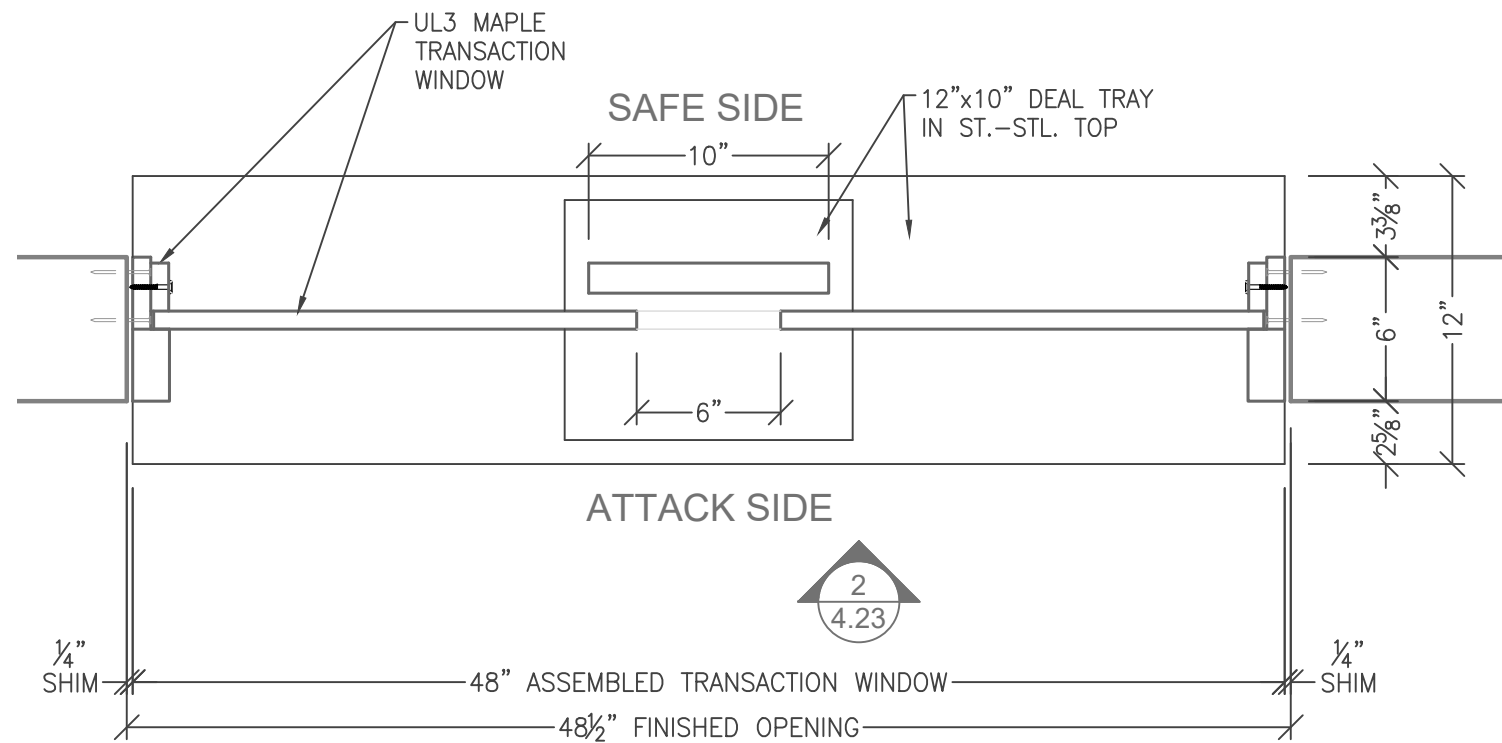


2
4.23
ATTACK SIDE ELEVATION
SCALE: 1-1/2" = 1'-0"



1
4.23
UL3 TRANSACTION WINDOW SPEAK THRU - DISK
TW-DS-4030-MAP12-UL03
SCALE: 1-1/2" = 1'-0"

SafeWood
Designs

JOB NAME		
BULLET RESISTANT TRANSACTION WINDOW - UL3 W/ SPEAK THRU DISK, DEAL TRAY & 12" SHELF		
DRAWING TITLE		
TW-DS-4030-MAP12-UL03		
DRAFTER / PROJ. MGR.	SHOP TICKET NO.	REVISION
JT / JEFF B	.	1
1st SUBMITTAL DATE:	REVISION DATE:	SHEET
.	.	4.23

* * NOTICE * *

SAFEWOOD DESIGNS, INC. OWNS CERTAIN INTELLECTUAL PROPERTY RIGHTS IN THE DESIGNS DEPICTED HEREIN AND ASSOCIATED BRAND NAMES. THE INTELLECTUAL PROPERTY RIGHTS INCLUDE, BUT ARE NOT LIMITED TO, TRADEMARK RIGHTS IN SAFESHUTTER™ AND SAFESLIDER™.

NOT RESPONSIBLE BEYOND OUR OWN WORK. OTHERS USE THIS DRAWING AT THEIR OWN RISK. PATENT PENDING. THIS DRAWING DOES NOT REPRESENT AN IMPLIED LICENSE TO USE ANY FEATURE HEREIN THAT MAY BE COVERED BY ANY PATENT NOW OR IN THE FUTURE.

COPYRIGHT NOTICE: © SAFEWOOD DESIGNS, INC. 2020. ALL RIGHTS RESERVED. MAKING COPIES OF, SELLING OR DISTRIBUTING COPIES OF, PREPARING DERIVATIVE WORKS OF, AND PUBLICALLY DISPLAYING THESE TECHNICAL DRAWINGS OR PORTIONS THEREOF WITHOUT WRITTEN PERMISSION FROM SAFEWOOD DESIGNS, INC. IS PROHIBITED.