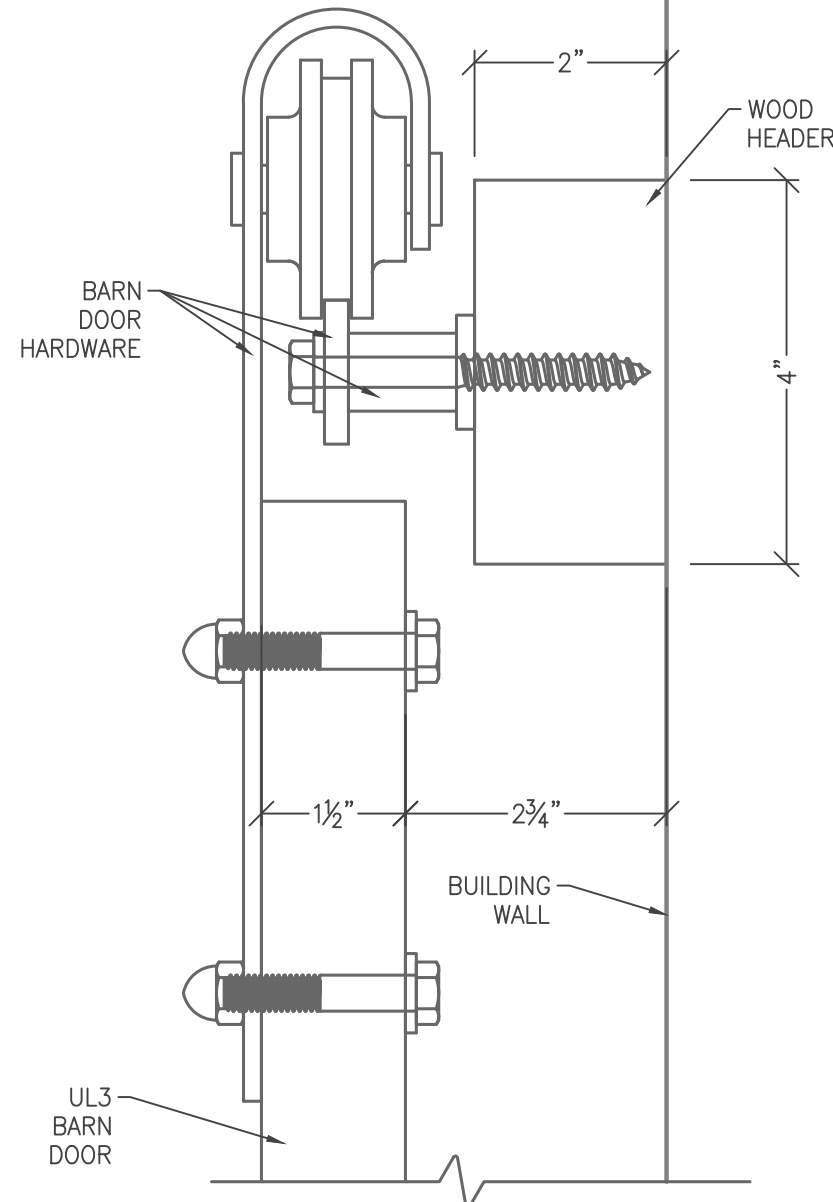


**2** SIDE VIEW  
3.30 SCALE: 1" = 1'-0"



**3** HEAD DETAIL  
- SCALE: HALF

**UL3 B.R. BARN DOOR**  
**BD-2P-3670-WALBK-UL03**

**1**  
3.30 SCALE: 1" = 1'-0"

**SafeWood**  
*Designs*

JOB NAME BULLET RESISTANT BARN DOOR - UL3		
DRAWING TITLE BD-2P-3670-WALBK-UL03		
DRAFTER / PROJ. MGR. JT / JEFF B	SHOP TICKET NO.	REVISION 1
1st SUBMITTAL DATE:	REVISION DATE:	SHEET 3.30

\* \* NOTICE \* \*

NOT RESPONSIBLE BEYOND OUR OWN WORK. OTHERS USE THIS DRAWING AT THEIR OWN RISK. PATENT PENDING. THIS DRAWING DOES NOT REPRESENT AN IMPLIED LICENSE TO USE ANY FEATURE HEREIN THAT MAY BE COVERED BY ANY PATENT NOW OR IN THE FUTURE.

SAFEWOOD DESIGNS, INC. OWNS CERTAIN INTELLECTUAL PROPERTY RIGHTS IN THE DESIGNS DEPICTED HEREIN AND ASSOCIATED BRAND NAMES. THE INTELLECTUAL PROPERTY RIGHTS INCLUDE, BUT ARE NOT LIMITED TO, TRADEMARK RIGHTS IN SAFESHUTTER™ AND SAFESLIDER™.

COPYRIGHT NOTICE: © SAFEWOOD DESIGNS, INC. 2020. ALL RIGHTS RESERVED. MAKING COPIES OF, SELLING OR DISTRIBUTING COPIES OF, PREPARING DERIVATIVE WORKS OF, AND PUBLICALLY DISPLAYING THESE TECHNICAL DRAWINGS OR PORTIONS THEREOF WITHOUT WRITTEN PERMISSION FROM SAFEWOOD DESIGNS, INC. IS PROHIBITED.